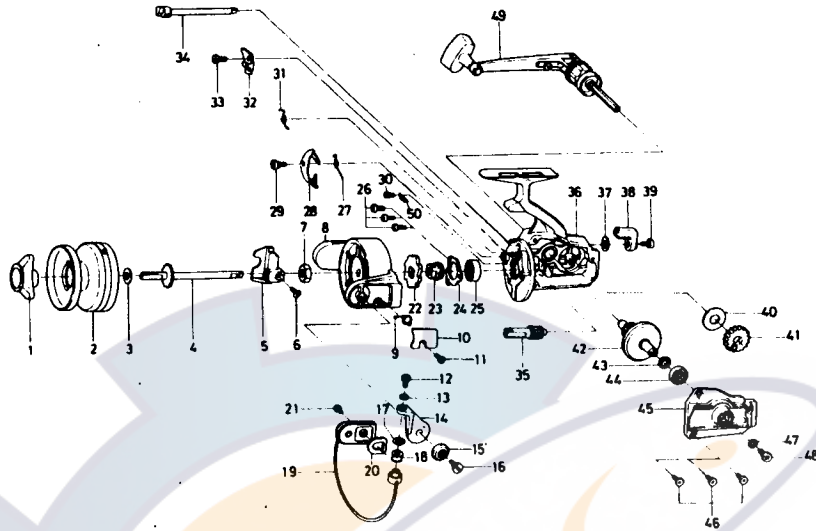


SPINNING REEL

GS-6



LINE CAPACITY: 225 YDS. 20 LB. TEST (200m Dia. 0.50mm)

Key No.	Parts No.	Parts Name	Key No.	Parts No.	Parts Name
1	60008233	Drag knob	26	63516601	Ball bearing ret. washer screw
2	67314802	Spool	27	61440201	Click claw spring
3	63712732	Spool washer	28	67811401	Click claw
4	67102212	Main shaft	29	63633001	Click claw screw
5	64811001	Oscillating slider	30	63633301	Click lever spring screw
6	63518901	Oscillating slider screw	31	61440301	Anti-reverse claw spring
7	63408301	Rotor nut	32	67700911	Anti-reverse claw
8	62017601	Rotor	33	63633601	Anti-reverse claw screw
9	61435501	Bail spring	34	67108901	Anti-reverse cam
10	66330701	Bail spring cover	35	64023101	Pinion gear
11	63522501	Cover screw	36	67006103	Body
12	63633101	Bail screw	37	63732700	Anti-reverse lever washer
13	63751101	Bail washer A	38	65411901	Anti-reverse lever
14	62311901	Arm lever	39	63522501	Anti-reverse lever screw
15	61303201	Bail holder cap	40	63745401	Oscillating gear washer
16	63631901	Arm lever screw	41	64123601	Oscillating gear
17	65012001	Bail washer B	42	64123501	Drive gear
18	62504301	Line roller	43	63712800	Drive gear washer
19	67251212	Bail	44	66317611	Ball bearing
20	62103501	Balancer	45	67058703	Body cover
21	63516401	Bail holder screw	46	63518501	Body cover screw
22	62805401	Ratchet	47	63719521	Handle washer
23	62707101	Click gear	48	63513631	Handle screw
24	60505101	Ball bearing ret. washer	49	67460204	Handle
25	66331001	Ball bearing	50	61441201	Click lever spring

Darwa

Page
8

Date
12-75

Rev. No.
00